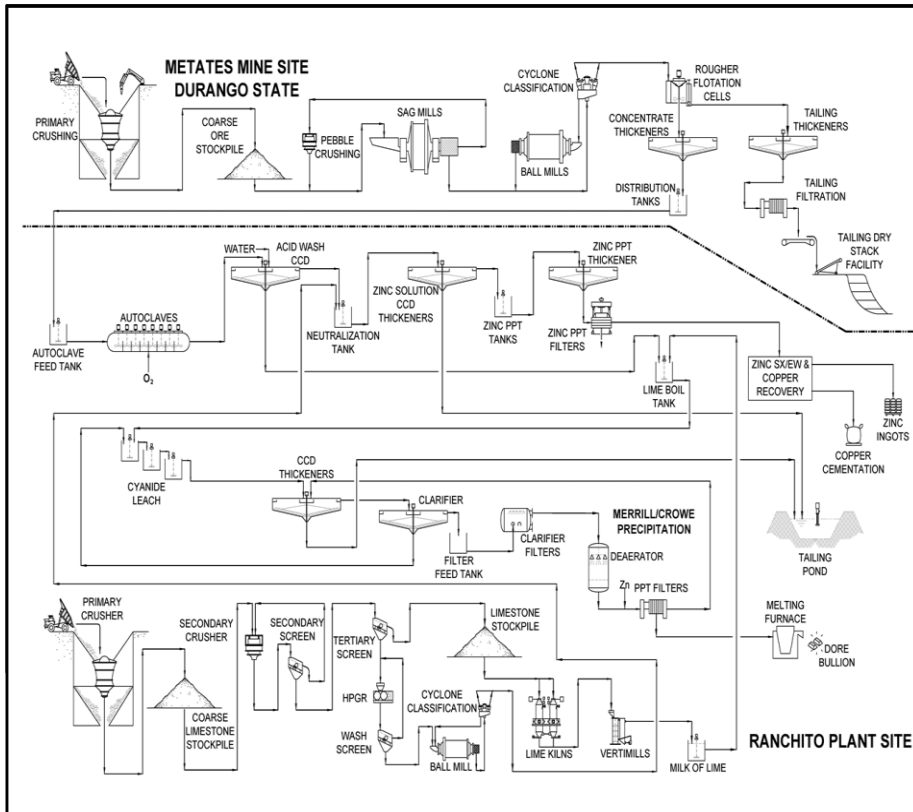


Simplified Processing

Existing Autoclave Flowsheet



Proposed Heap Leach Flowsheet

